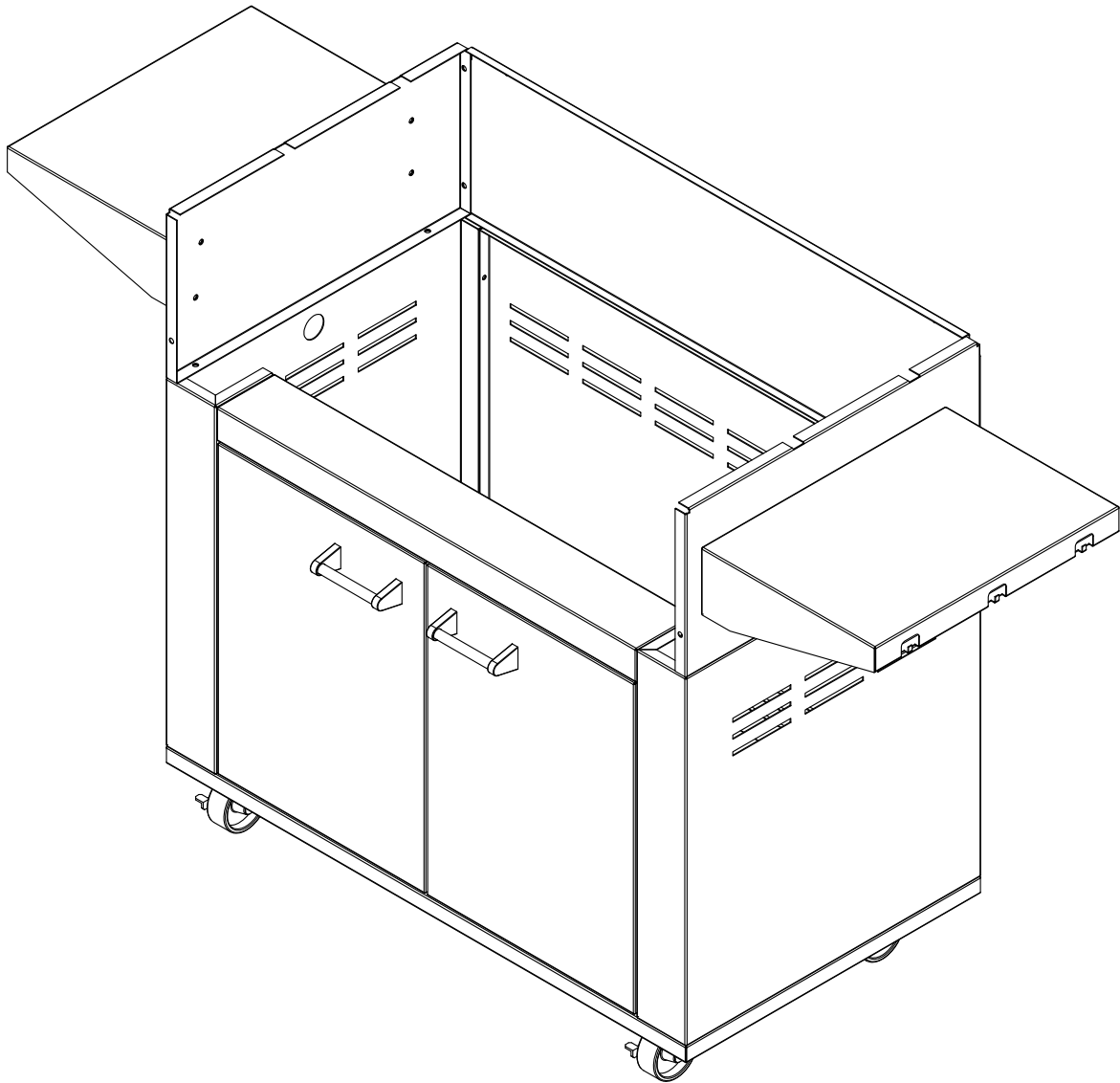


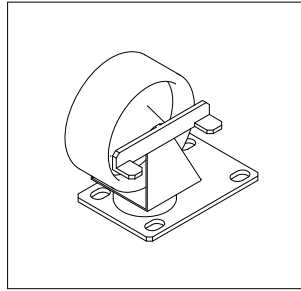
DELTA HEAT 32" & 38" GRILL BASE



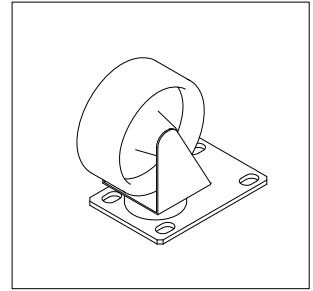
ASSEMBLY INSTRUCTIONS
MODEL: DHGB32-B & DHGB38-B

Hardware

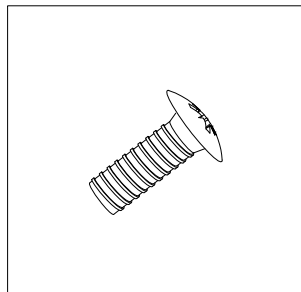
(H1)
Caster
With Brake
Qty-2



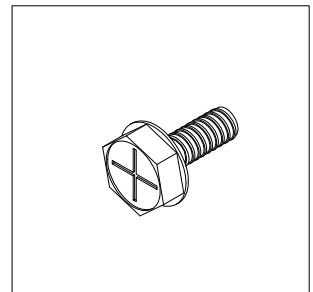
(H2)
Caster
W/O Brake
Qty-2



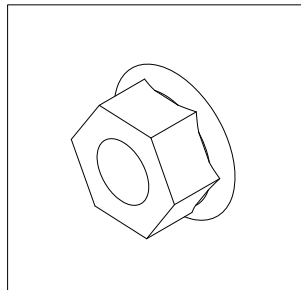
(H3)
Truss Head
Screw
(10-32 x 1/2")
Qty- 14



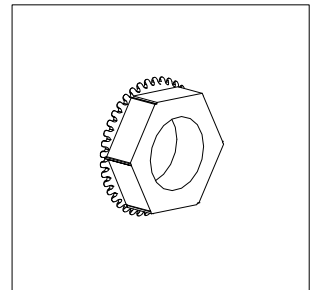
(H4)
Keps Nut
(10-32)
Qty- 6



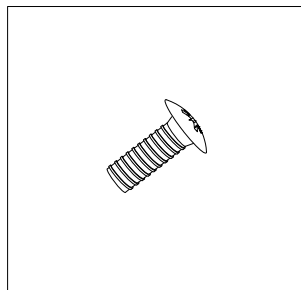
(H5)
Serrated Nut
(1/4 - 20)
Qty-16

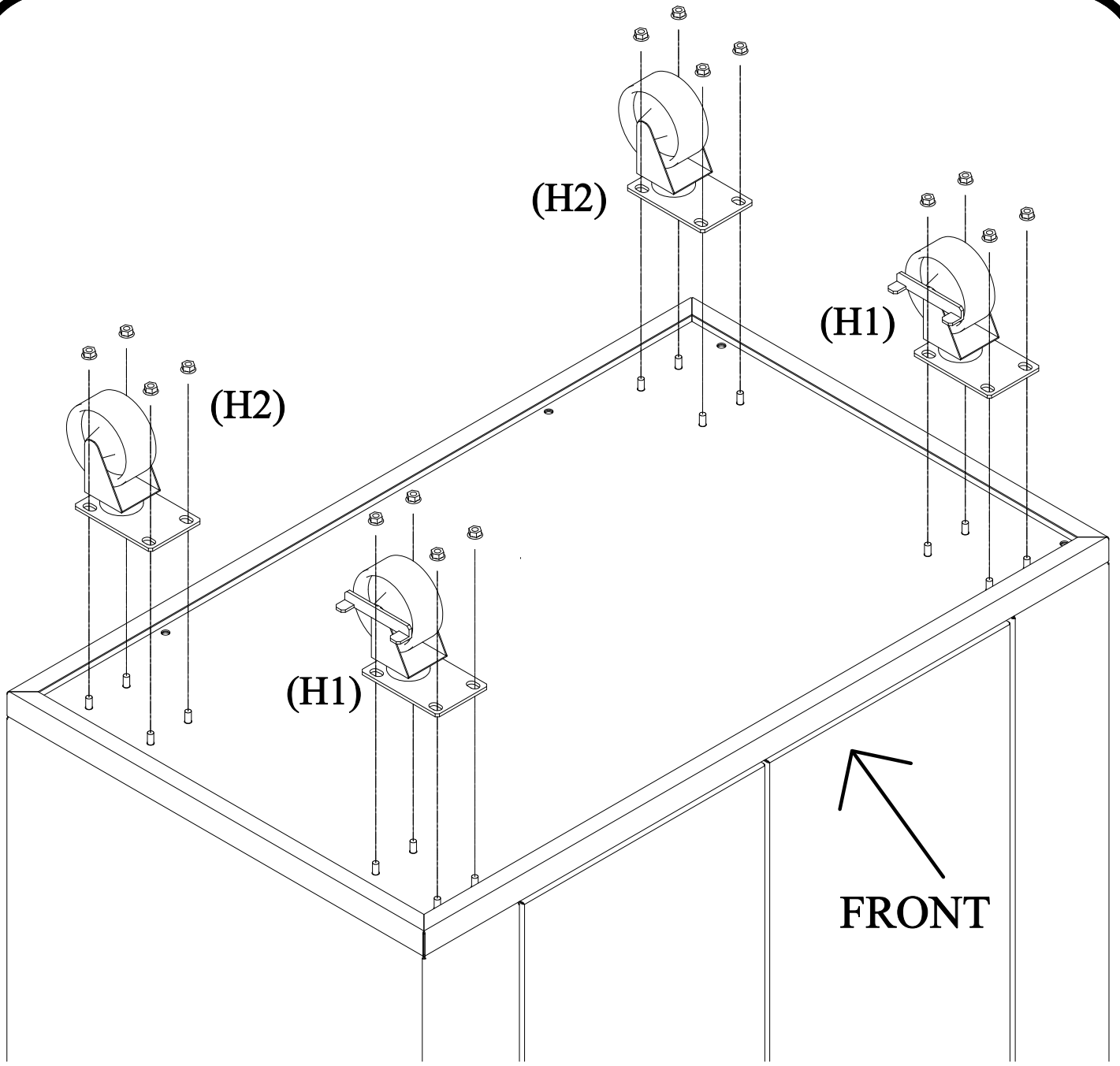


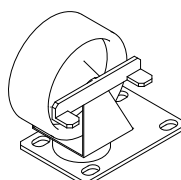
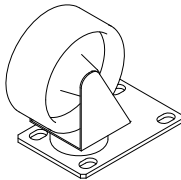
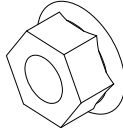
(H6)
Keps Nut
(8-32)
Qty- 4

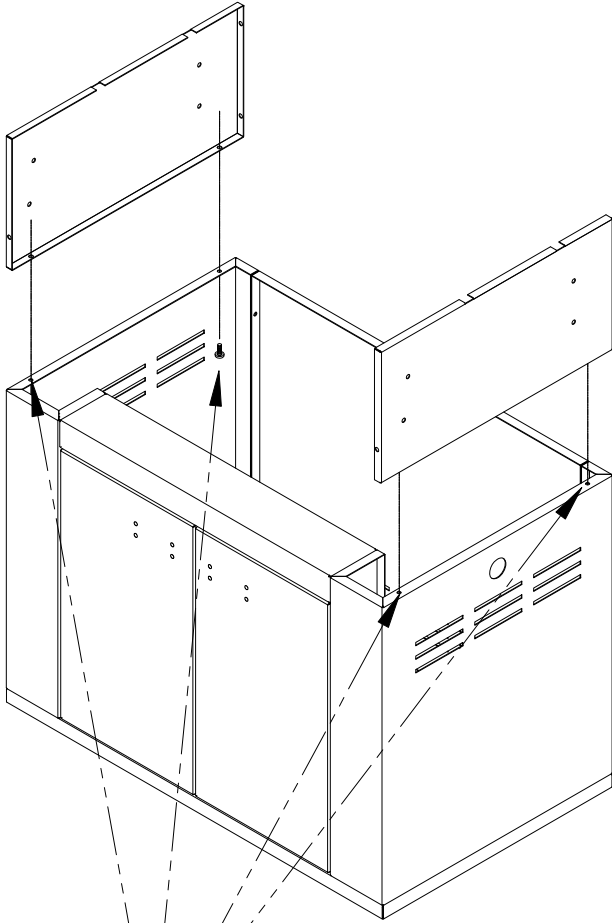


(H7)
Truss Head
Screw
(8-32 x 1/2")
Qty- 4



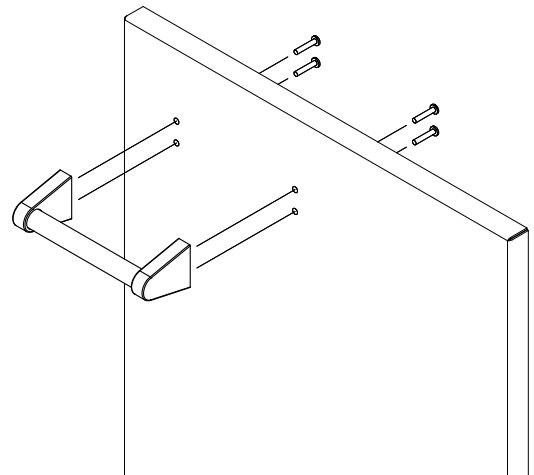
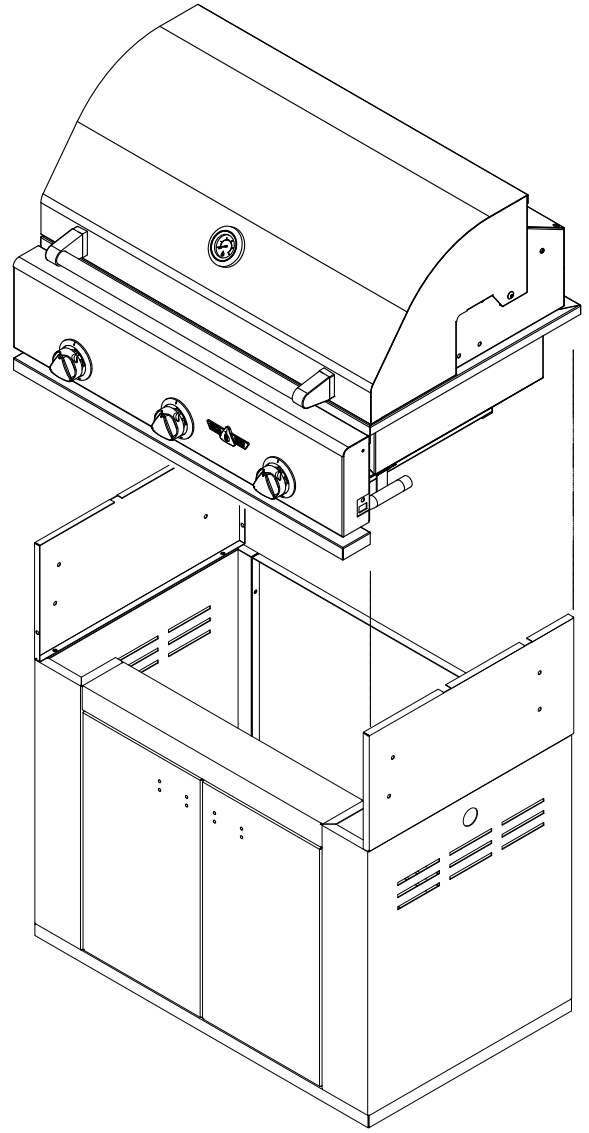
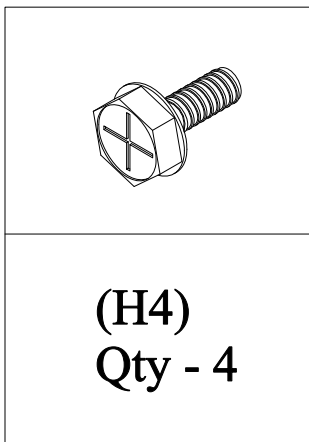


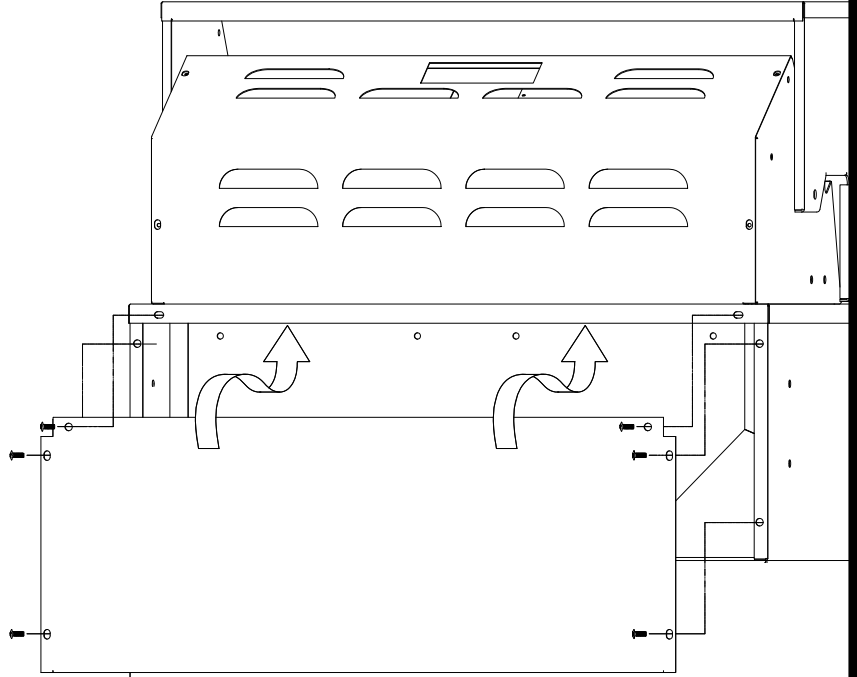
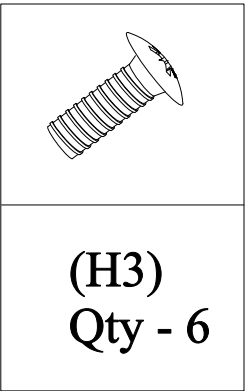
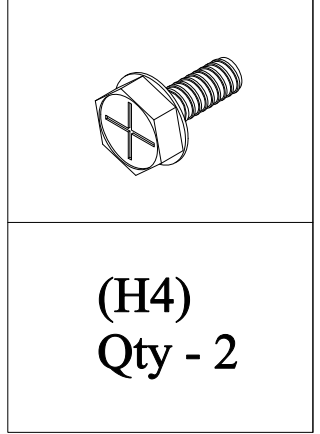
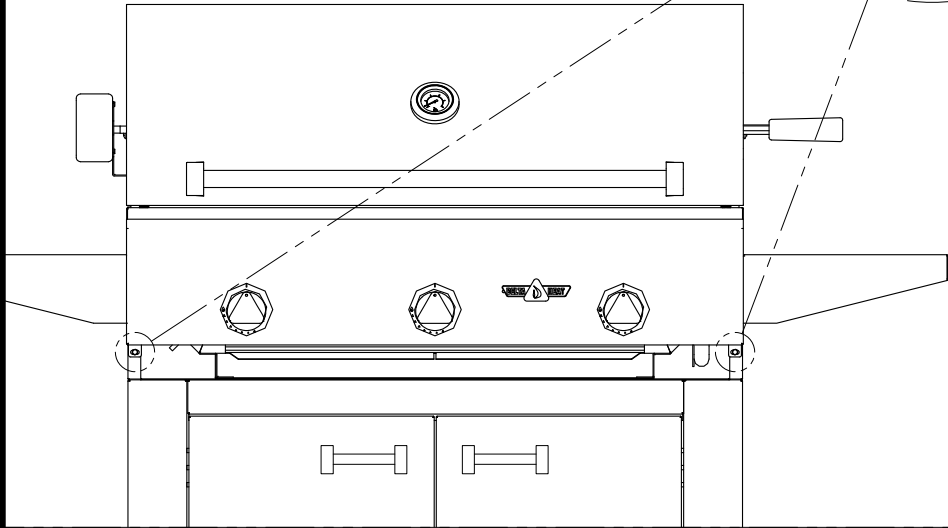
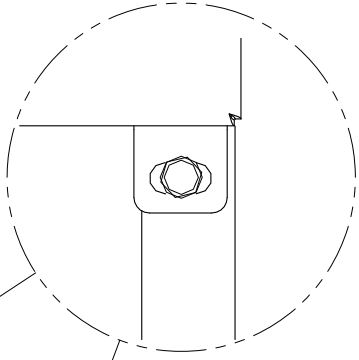
		
<p>(H1) Qty 2</p>	<p>(H2) Qty 2</p>	<p>(H5) Qty 16</p>

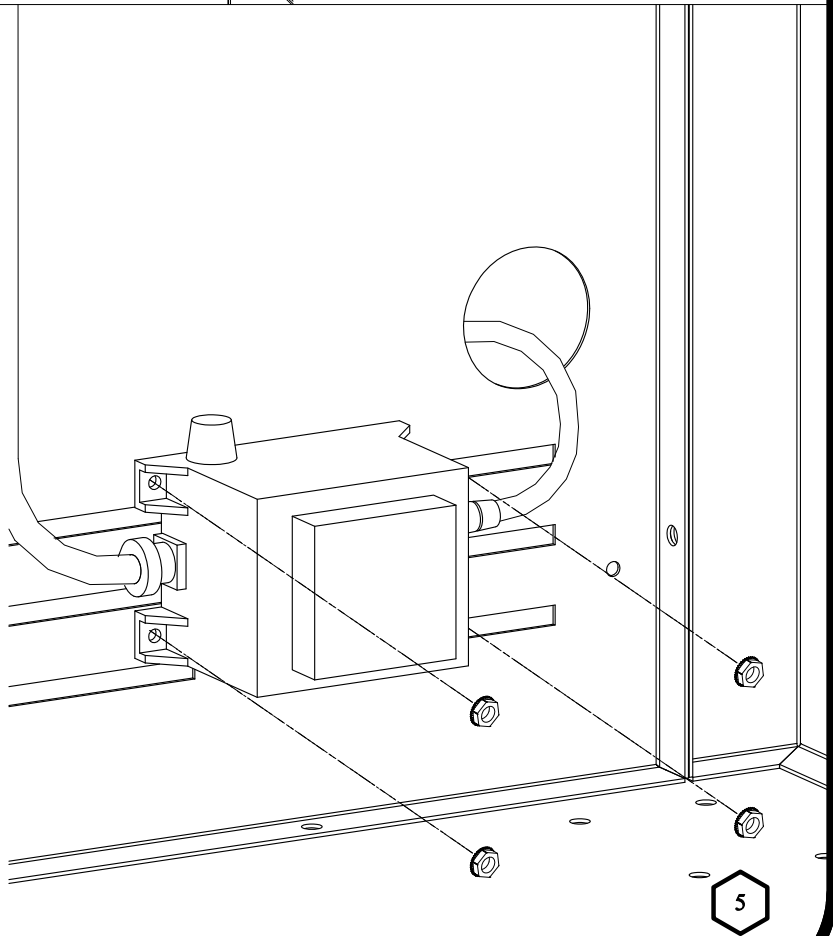
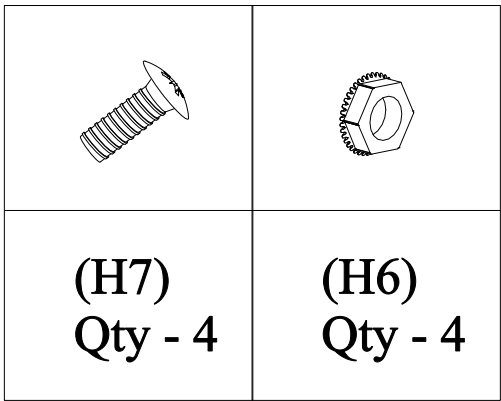
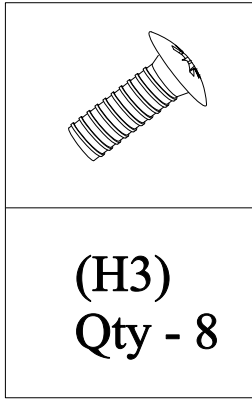
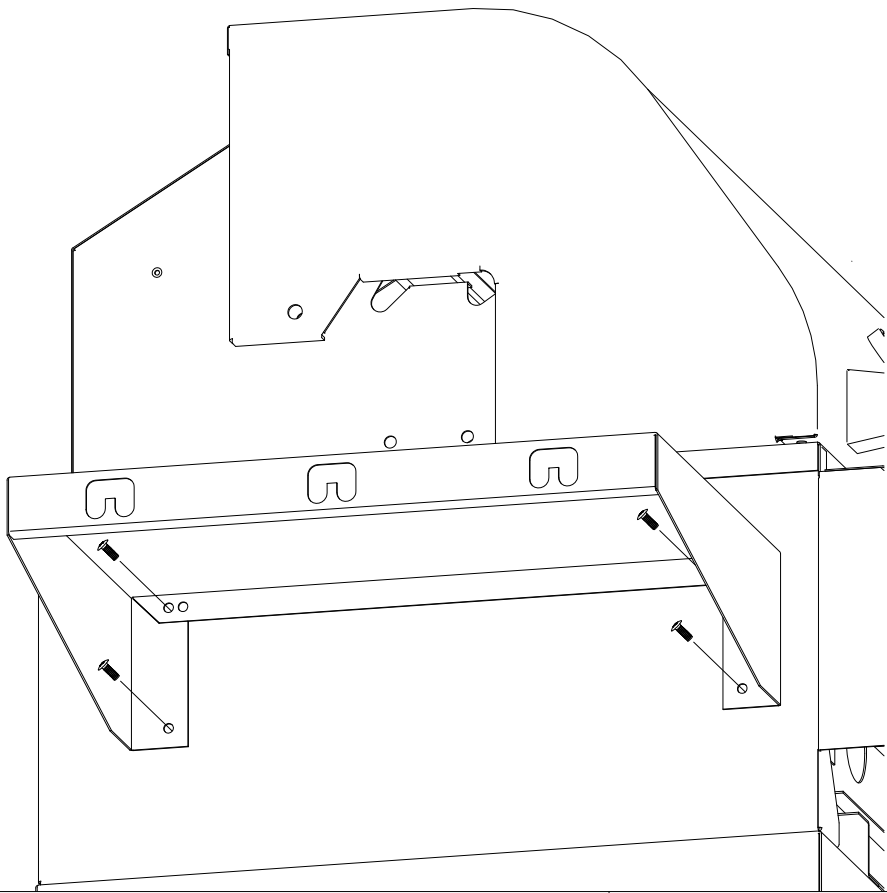


H4

(4 places)







Screw transformer box from the back.