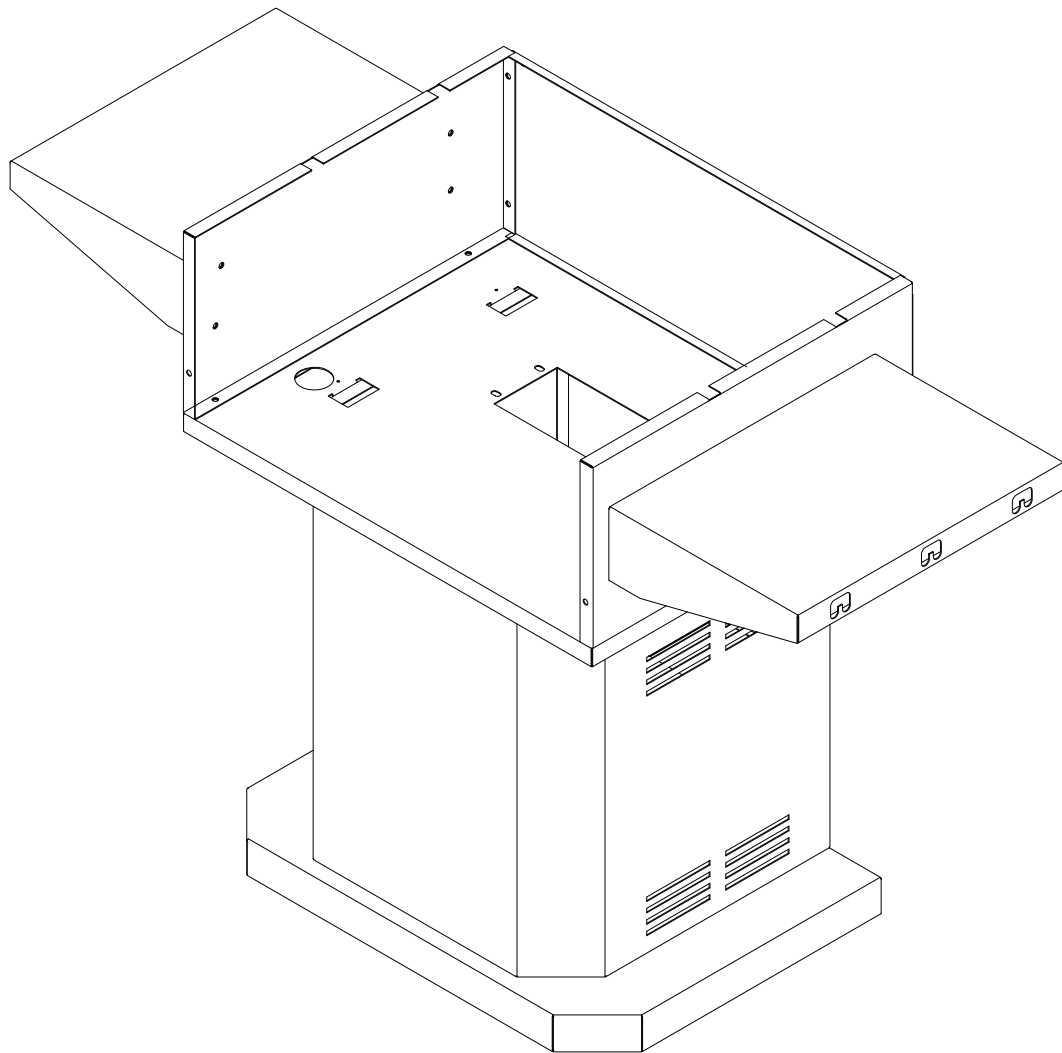


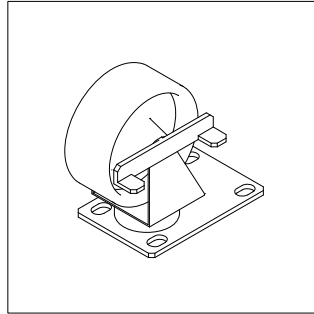
# DELTA HEAT 26" PEDESTAL BASE



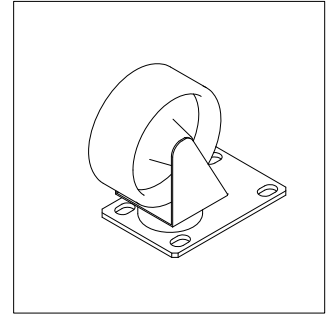
## ASSEMBLY INSTRUCTIONS MODEL: DHPB26-B

# Hardware

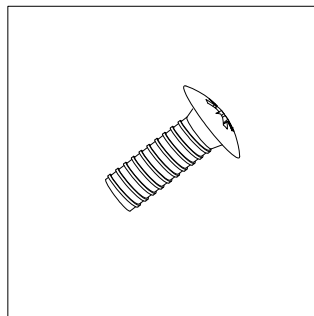
(H1)  
Caster  
With Brake  
Qty-2



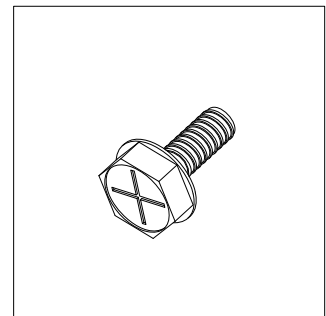
(H2)  
Caster  
W/O Brake  
Qty-2



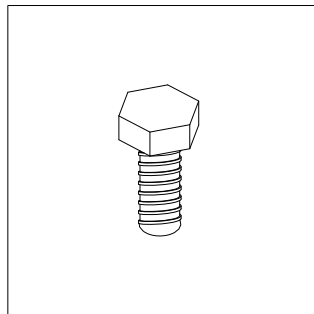
(H3)  
Truss Head  
Screw  
(10-32 x 1/2")  
Qty- 14



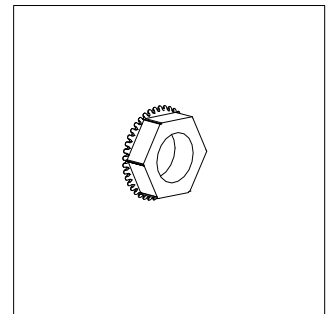
(H4)  
Hex Screw  
(10-32)  
Qty- 6



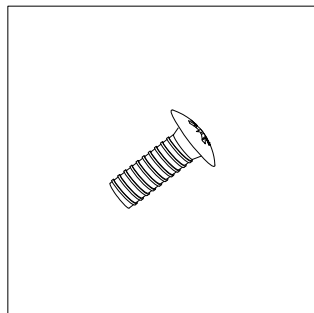
(H5)  
Hex Bolt  
(1/4 - 20)  
Qty-16



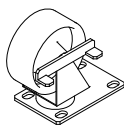
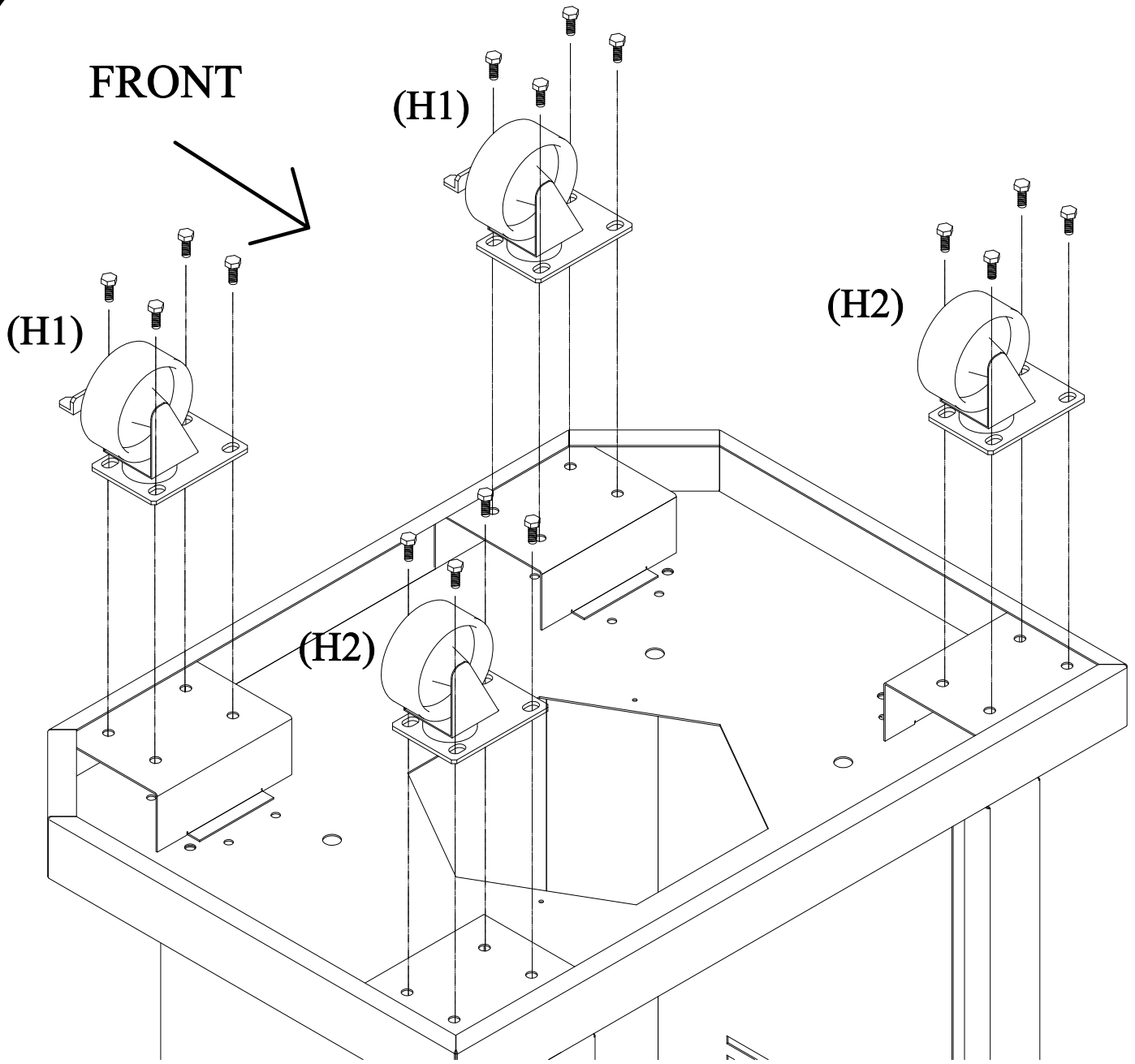
(H6)  
Keps Nut  
(8-32)  
Qty- 4



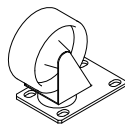
(H7)  
Truss Head  
Screw  
(8-32 x 1/2")  
Qty- 4



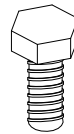
FRONT



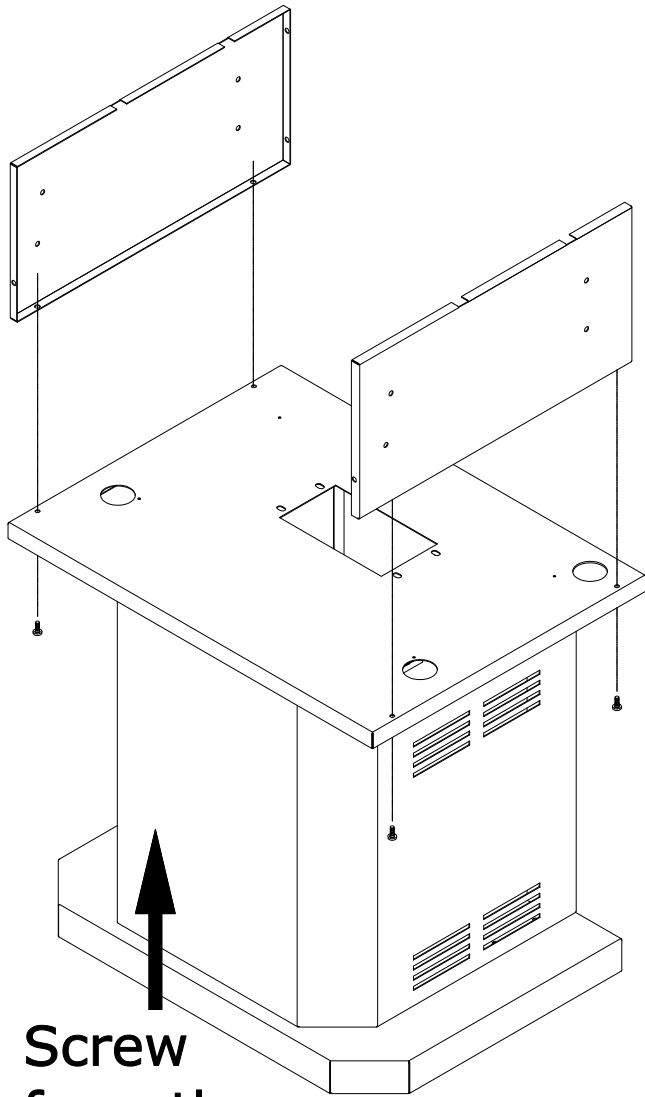
(H1)  
Qty 2



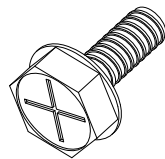
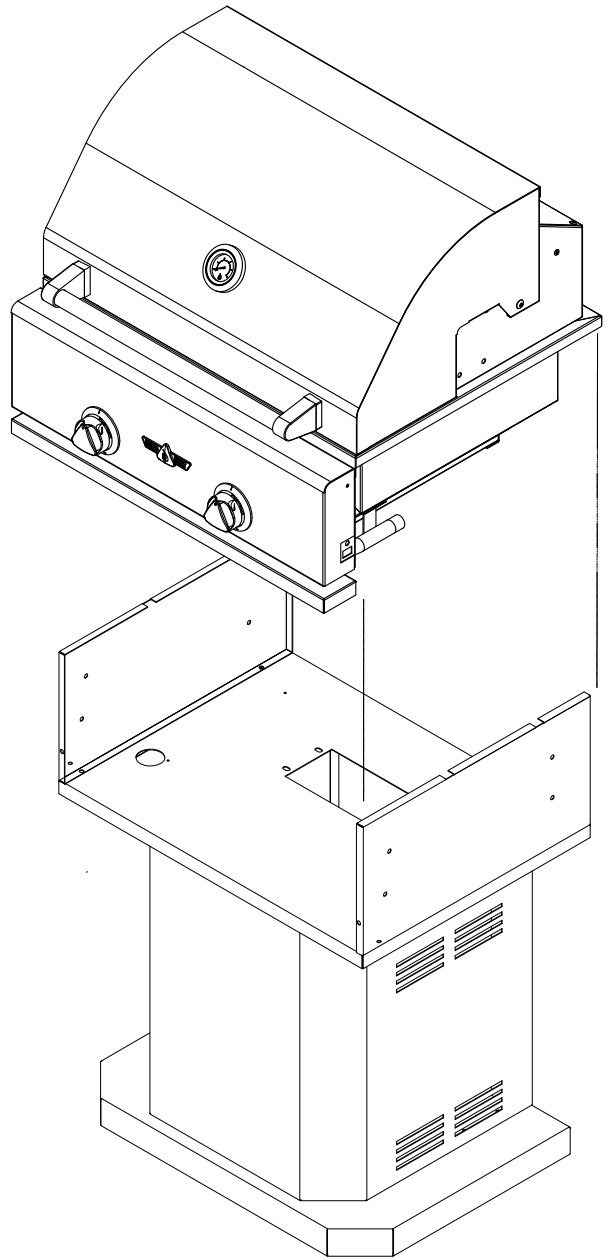
(H2)  
Qty 2



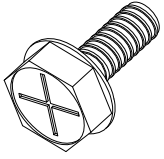
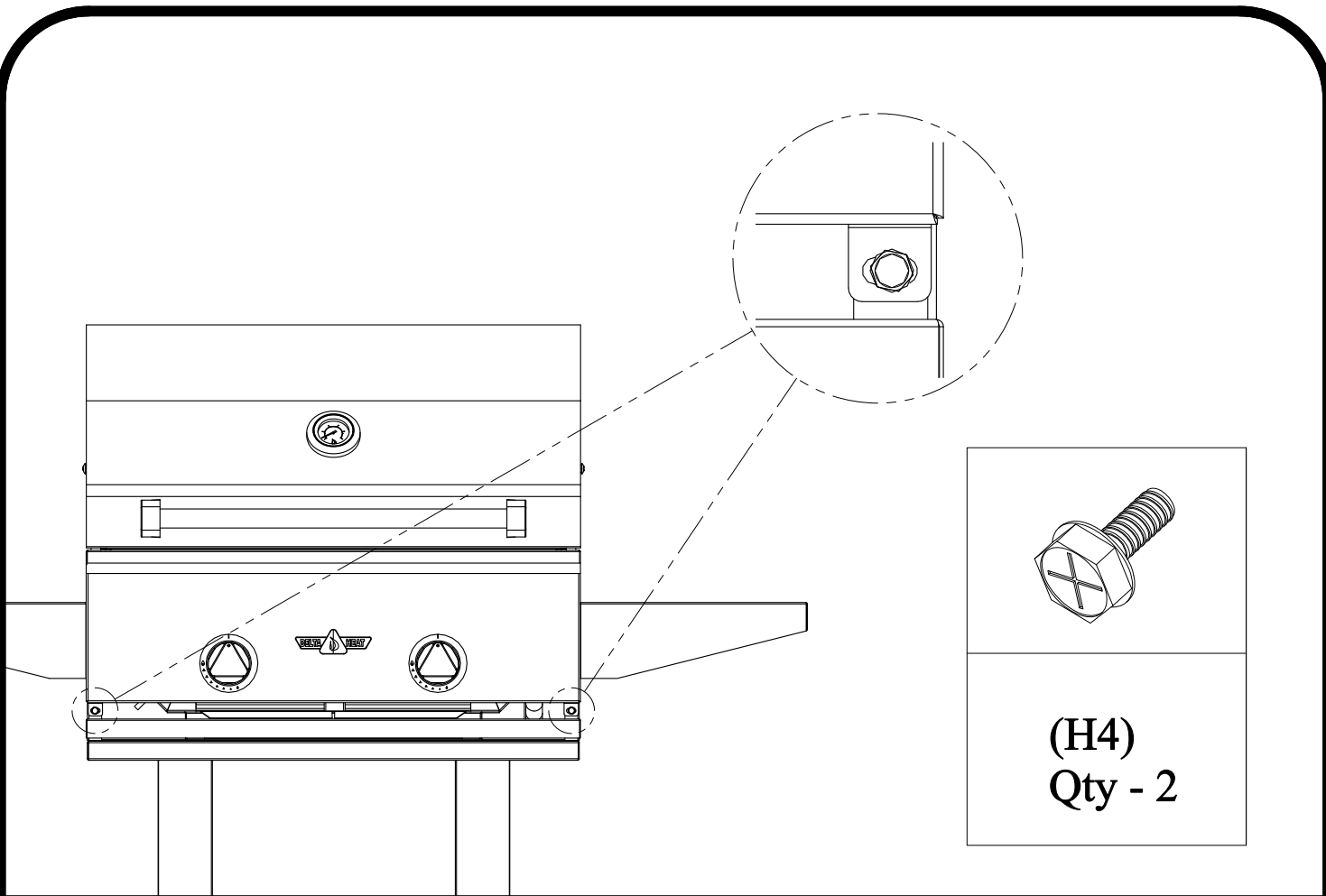
(H5)  
Qty 16



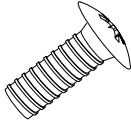
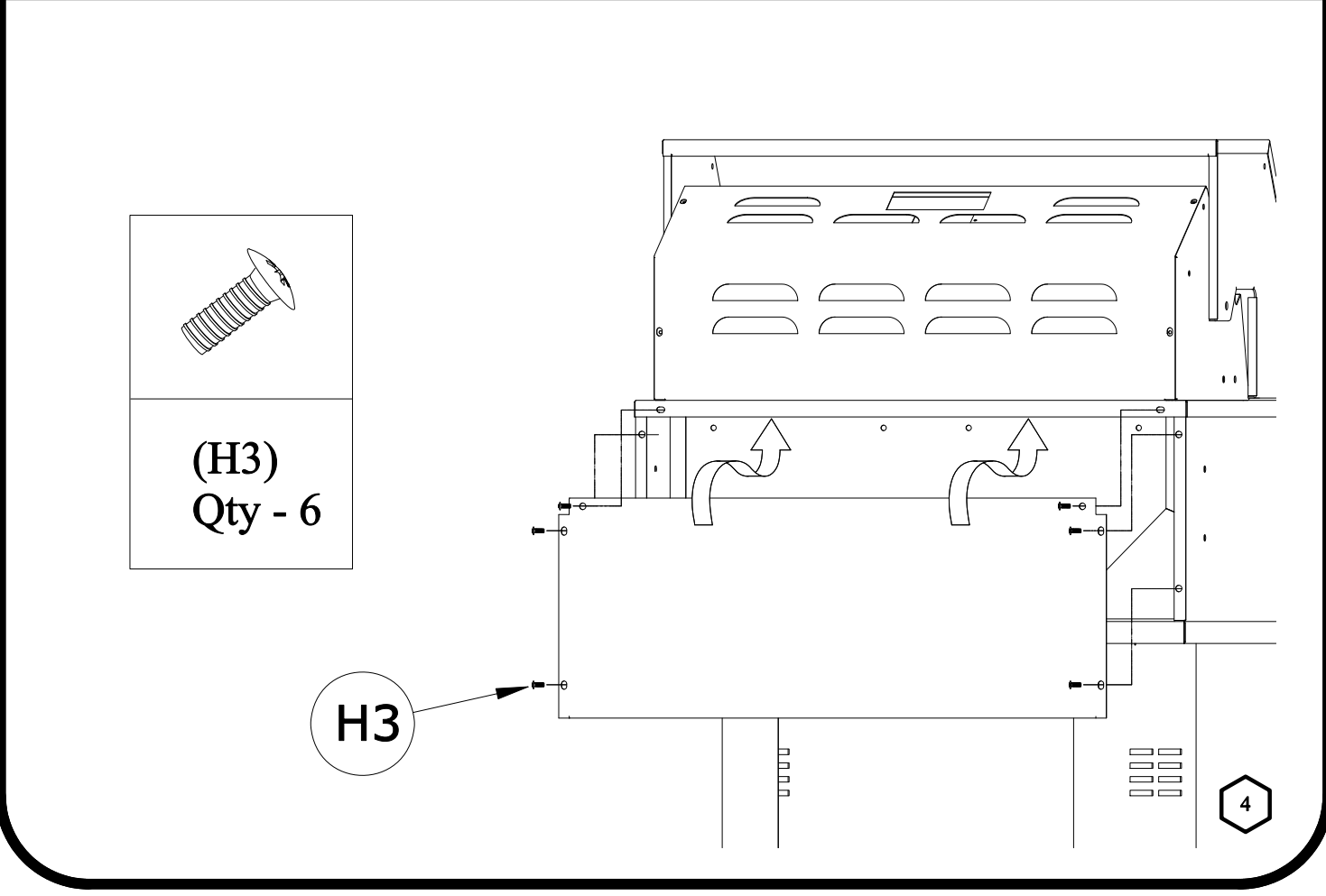
Screw  
from the  
bottom



(H4)  
Qty - 4



(H4)  
Qty - 2



(H3)  
Qty - 6

H3

Install two side shelves  
on both sides of the grill

