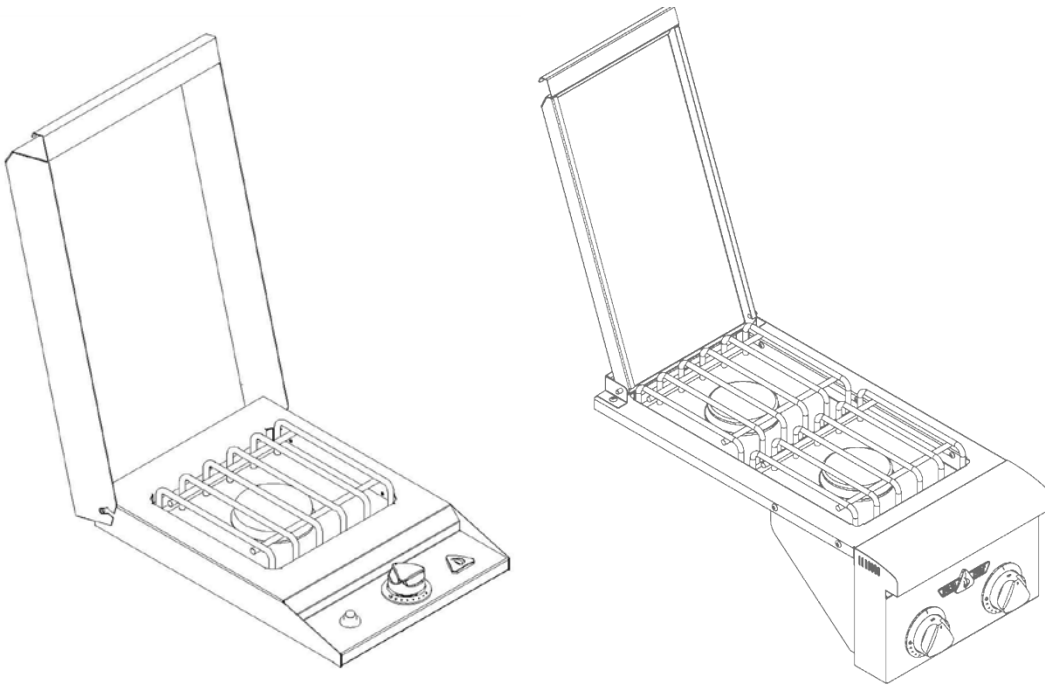




# DELTA HEAT SIDE BURNER

## USE & CARE MANUAL



MODEL: DHSB1D-C  
DHSB2-C

# IMPORTANT SAFETY INFORMATION

**WARNING!** Read this manual carefully and completely before using your grill to ensure proper operation, proper installation, proper servicing and to reduce the risk of fire, burn hazard and/ or other injury.

**AVERTISSEMENT!** Lire ce manuel avec soin et en entier avant l'utilisation de votre barbecue afin d'assurer un fonctionnement, une installation et un entretien adéquats et réduire le risque d'incendie, de brûlures et d'autres blessures.

<p style="text-align: center;"><b>D A N G E R</b></p> <p>If you smell gas:</p> <ol style="list-style-type: none"> <li>1. Shut off gas to the appliance.</li> <li>2. Extinguish any open flames.</li> <li>3. If odor continues, keep away from the appliance and immediately call your gas supplier or fire department.</li> </ol>	<p style="text-align: center;"><b>D A N G E R</b></p> <p>S'il y a une odeur de gaz:</p> <ol style="list-style-type: none"> <li>1. Coupez l'admission de gaz de l'appareil.</li> <li>2. Éteindre toute flamme nue.</li> <li>3. Si l'odeur continue, évitez l'appareil et appelez tout de suite votre fournisseur de gaz ou les pompiers.</li> </ol>
<p style="text-align: center;"><b>W A R N I N G</b></p> <ol style="list-style-type: none"> <li>1. Do not store or use gasoline or other flammable vapors and liquids in the vicinity of this or any other appliance.</li> <li>2. An LP cylinder not connected for use shall not be stored in the vicinity of this or any other appliance.</li> </ol>	<p style="text-align: center;"><b>A V E R T I S S E M E N T</b></p> <ol style="list-style-type: none"> <li>1. Ne pas entreposer ni utiliser de l'essence ni d'autres vapeurs ou liquides inflammables dans le voisinage de l'appareil, ni de tout autre appareil.</li> <li>2. Une bouteille de propane qui n'est pas raccordée en vue de son utilisation, ne doit pas être entreposée dans le voisinage de cet appareil ou de tout autre appareil.</li> </ol>
<p style="text-align: center;"><b>THIS IS FOR OUTDOOR USE ONLY:</b></p> <p>If stored indoors, detach and leave L.P. cylinder outdoors.</p>	<p style="text-align: center;"><b>C'EST POUR UTILISATION à L'ExtÉRIEUR SEULEMENT:</b></p> <p>Si l'appareil est entreposé à l'intérieur, enlever les bouteilles et les laisser à l'extérieur.</p>
<p style="text-align: center;"><b>B E F O R E L I G H T I N G</b></p> <ol style="list-style-type: none"> <li>1. Read instructions before lighting.</li> <li>2. Open lid during lighting.</li> <li>3. If ignition does not occur in 5 seconds, turn the burner control(s) off, wait 5 minutes, and repeat the lighting procedure.</li> </ol>	<p style="text-align: center;"><b>A V A N T D ' A L L U M E R L ' A P P A R E I L</b></p> <ol style="list-style-type: none"> <li>1. Lisez les instructions avant d'allumer l'appareil.</li> <li>2. Ouvrez le couvercle avant d'allumer l'appareil.</li> <li>3. Si l'appareil ne s'allume pas en 5 secondes, fermez le robinet du brûleur, attendez 5 minutes, et procédez de nouveau à l'allumage.</li> </ol>

# GENERAL SAFETY REQUIREMENTS

1. The installation of this appliance must conform with local codes or, in the absence of local codes, either the *National Fuel Gas Code, ANSI Z223.1/NFPA 54, Natural Gas and Propane Installation Code, CSA B149.1 or Propane Storage and Handling Code, B149.2.*
2. The utilization of an external electrical source requires that when installed, this outdoor cooking gas appliance must be electrically grounded in accordance with the local codes or, in the absence of local codes, with the National Electrical Code, ANSI/NFPA 70, or the Canadian Electrical Code, CSA C22.1. Keep any electrical supply cord, or the rotisserie motor cord and the fuel supply hose away from any heated surfaces.
3. This outdoor cooking gas appliance shall be used only outdoors and shall not be used in a building, garage or any other enclosed area.
4. This outdoor cooking gas appliance is not intended to be installed in or on recreational vehicles and /or boats.
5. **Minimum clearance of 12 inches from the back and sides of the unit to adjacent combustible construction must be maintained. This outdoor cooking gas appliance shall not be located under overhead-unprotected combustible construction.**
6. Keep your side burner in an area clear and free from combustible materials, gasoline and other flammable vapors and liquids.
7. DO NOT obstruct the flow of combustion and ventilation air to this appliance. Keep the ventilation openings of the cylinder enclosure free and clear from debris.
8. Check all gas connections for leaks with soapy water solution and brush. Never use an open flame.
9. Check flexible hoses for cuts and wear that may affect the safety before each use.
10. Always use caution when operating the side burner in a windy area.
11. The pressure regulator and hose assembly supplied with the Delta Heat Side Burner must be used. Replacement pressure regulators and hose assemblies must be those specified by Delta Heat.

## **WARNING: CALIFORNIA PROPOSITION 65**

This product can expose you to chemicals including carbon monoxide which is known to the State of California to cause cancer and reproductive harm. To minimize exposure to the by-products of the burning fuel or from combustion, always operate this unit according to the use and care manual and provide good ventilation. California law requires businesses to warn customers of potential exposure to such substances. For more information go to [www.P65Warnings.ca.gov](http://www.P65Warnings.ca.gov).

## **AVERTISSEMENT: PROPOSITION 65 DE L'ETAT DE LA CALIFORNIE**

Cet appareil peut vous exposer aux produits chimiques et au gaz monoxyde de carbone reconnue dans l'Etat de la Californie pour causer le cancer et des problemes de fertilit . Pour minimiser l'exposition de ces-sous produits combustibles ou de la combustion, utiliser toujours cet appareil en conformitee au manuel d'utilisation et d'entretien en s'assurant egalement d'une bonne ventilation. La loi de la Californie exige aux fabricants d'informer leurs clients aux risques d'exposition potentielle a de telles substances. Pour plus d'information, visiter le site [www.P65Warnings.ca.gov](http://www.P65Warnings.ca.gov)

In Massachusetts: All gas products must be installed using a "Massachusetts" licensed plumber or gasfitter. A "T" handle type manual gas valve must be installed in the gas supply line to this appliance. This applies to permanently installed natural gas and propane installations. This does not apply to propane portable installations using a 20 pound tank.

# FOR YOUR RECORDS

**IMPORTANT:** Retain original proof of purchase to establish warranty period.

Please record the following information and refer to this information when contacting the company or an authorized service agent. This information is found on the rating/ data plate located on the inside side of the unit.

Model #: \_\_\_\_\_

Serial #: \_\_\_\_\_

Date of Purchase: \_\_\_\_\_

Place of Purchase: \_\_\_\_\_

Type of Gas:           NG                            LP



To the Installer:  
Please read these instructions completely before installation and give this manual to the owner.  
To the Owner:  
Keep this manual in a safe place for future reference.

## OPERATING INSTRUCTIONS – SIDE BURNERS

1. Make sure all knobs are in the “OFF” position.
2. Turn “on” the gas at source. Caution: If you smell gas, shut off gas supply and call for service.
3. Before lighting, remove the side burner cover or any cooking utensils from the burner grate.
4. a.) For DHSB2-C, push-in, turn counterclockwise to “HI” (LARGE FLAME) position, and hold the burner knob in. You should hear a continuous clicking sound and see sparks being provided to the burner. (If clicking sound is weak, replace the 9V battery).
4. b.) For DHSB1D-C, push-in and turn the burner knob counterclockwise to a “HI” (LARGE FLAME) position. Push and hold the ignition button. You should hear a continuous clicking sound and see sparks being provided to the burner. (If clicking sound is weak, replace the AAA battery).
5. If the burner does not ignite within 5 seconds, turn the burner to “OFF” and wait for five minutes. Repeat the above procedures or try the following manual lighting procedures
  - a. Hold a lit match next to the burner ports
  - b. Push and turn the burner knob counterclockwise to ignite the burner.
6. Adjust flame setting to “LOW” or “MEDIUM” or “HIGH”, if desired.
- 7. Caution: Do not leave the side burner unattended while cooking.**
8. To shutdown the burner, push and turn the burner knob clockwise to “OFF”.
9. For complete shutdown, turn “off” the gas at source.

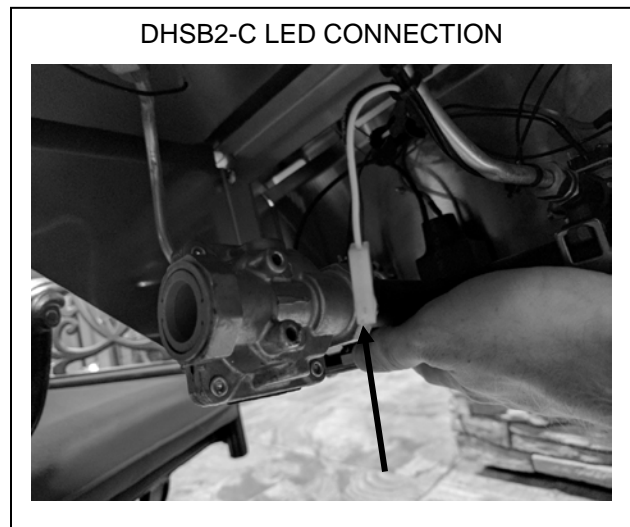
## REPLACING THE BATTERY / LED CONNECTION

Replacing the battery in your Delta Heat Side Burner is a simple and easy procedure. Replacing the battery should be done when after failing to light the burner or when a weak sparking is heard.

The battery is located under the front panel to the left of the knob for DHSB1D-C and in between the knobs for DHSB2-C as shown in the illustrations below.



The DHSB2-C features a wire connection that when mated to the corresponding connection on the Delta Heat Grill will power the LED feature lights above the knobs. The connection wire is located on the underside of the Side Burner near the regulator. The connection from the grill to the side burner will be located on the right hand side of the grill near the regulator.



## **GAS SAFETY REQUIREMENTS**

Each appliance is set and tested at the factory for the type of gas supply to be used. Identify the type of gas, either Natural Gas or LP gas and make sure that the marking on the data plate (rating plate) matches the gas being supplied to the side burner. The data plate is located on the inside side of the unit.

All gas connections should be made by a qualified technician and in accordance with local codes and ordinances. The installation must conform with local codes or, in the absence of local codes, with either the *National Fuel Gas Code, ANSI Z223.1/NFPA 54, Natural Gas and Propane Installation Code, CSA B149.1 or Propane Storage and Handling Code, B149.2.*

**WARNING:**

**CHECK TO ENSURE THAT THE GAS SUPPLY HOSE DOES NOT COME IN CONTACT WITH ANY HOT SURFACE OF THE SIDE BURNER.**

**NEVER CONNECT THE SIDE BURNER TO AN UNREGULATED GAS SUPPLY.**

**L.P. GAS (LIQUIFIED PETROLEUM /PROPANE)**

If your unit is factory built for L.P., the regulator supplied is set for 11 in wc (2.74 kPa) and is for use with L.P. gas only. The factory-supplied regulator and hose must be used with a 20 lb. L.P. cylinder.

**L.P. GAS SAFETY REQUIREMENT**

The LP-gas supply cylinder must be constructed and marked in accordance with the *Specifications for LP-gas Cylinders* of the U.S. Department of Transportation (D.O.T.) or the National Standards of Canada *CAN/CSA-B339, Cylinders, Spheres and Tubes for the Transportation of Dangerous Goods, and Commission*, as applicable; and

1. Provided with a listed overfilling prevention device.
2. Provided with a cylinder connection device compatible with the connection for outdoor cooking appliances.

It must be provided with a shut-off valve terminating in gas tank valve outlet. It must include a collar to protect the cylinder valve. The cylinder supply system must be arranged for vapor withdrawal.

Do not operate indoors or in any enclosed area. If the unit is not in use, the gas must be turned off at the supply cylinder. If the unit is to be stored indoors, disconnect the gas supply cylinder and leave the cylinder outdoors out of reach of children and must not be stored in a building, garage or any other enclosed area.

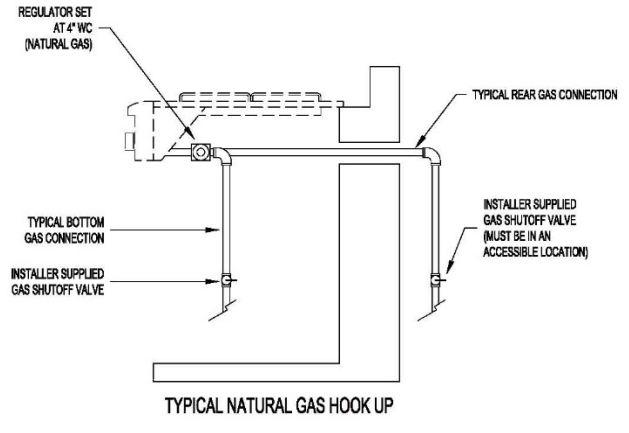
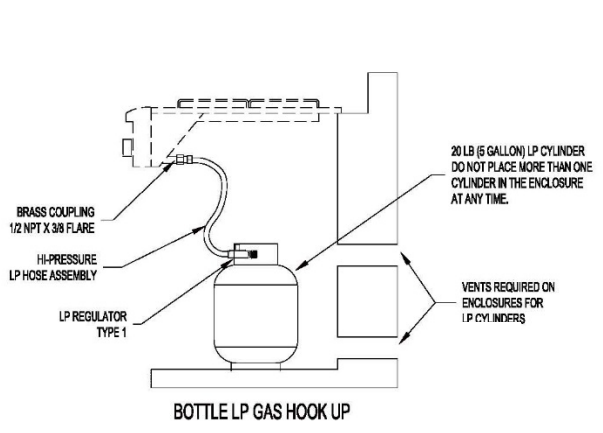
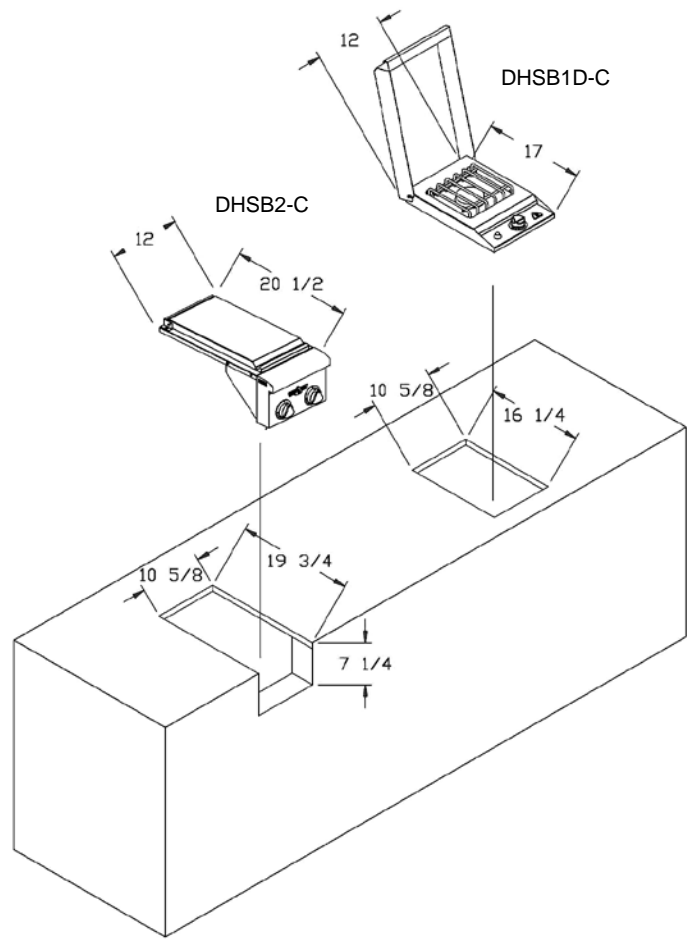
**! WARNING !**

**DO NOT STORE SPARE LP-GAS CYLINDER UNDER OR NEAR THIS APPLIANCE.**

**NEVER FILL THE CYLINDER BEYOND 80 PERCENT FULL.**

**FAILURE TO DO SO, A FIRE CAUSING DEATH OR SERIOUS INJURY MAY OCCUR.**

# CABINET CUT-OUT DIMENSIONS FOR BUILT-IN APPLICATION



## LEAK TEST

### CAUTION BEFORE TESTING

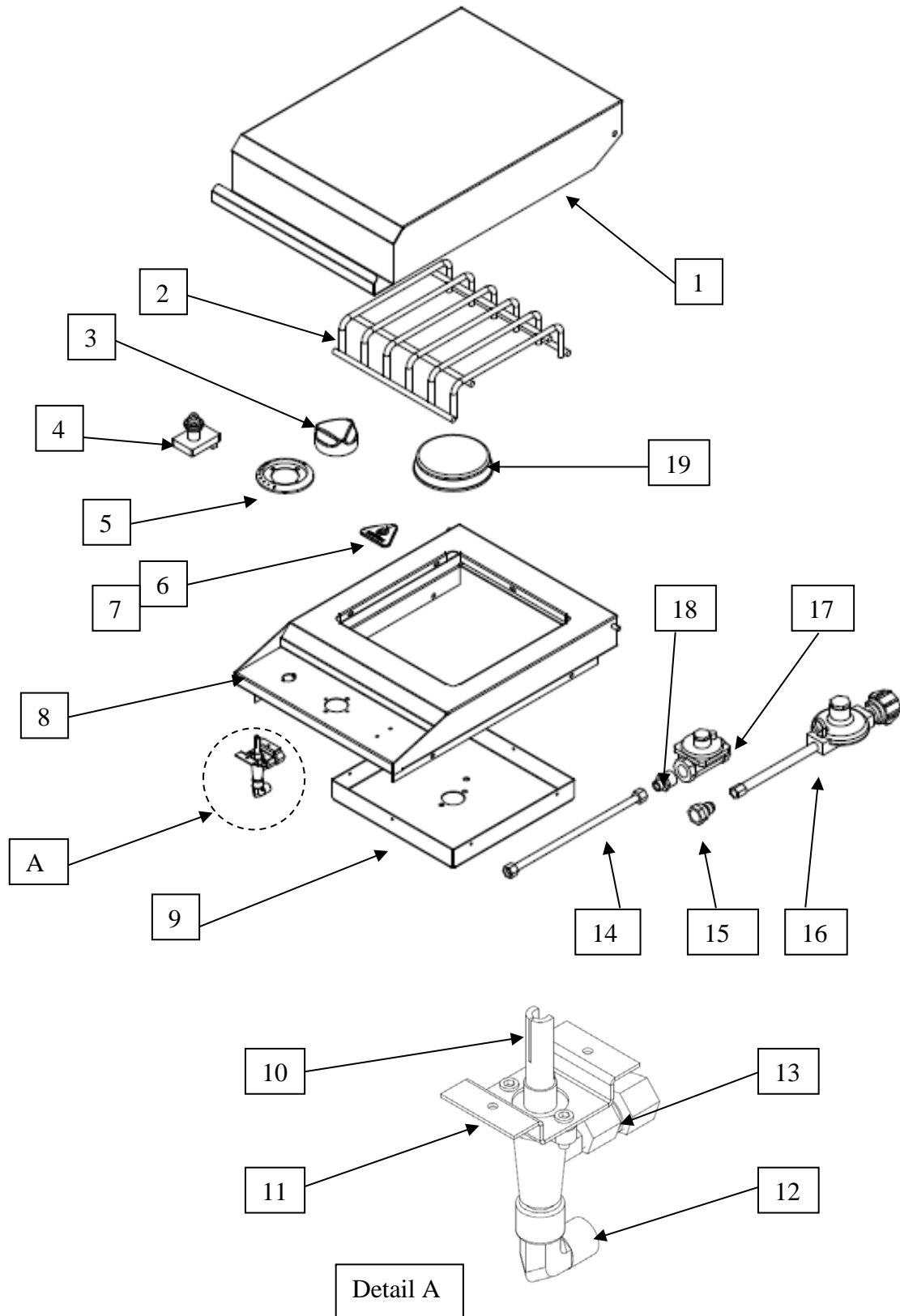
- Finding and/or fixing a gas leak is NOT a “DO-IT-YOURSELF” procedure.
- NEVER USE THE SIDE BURNER WITHOUT FIRST LEAK TESTING THE GAS CONNECTIONS.
- WARNING: DO NOT USE OPEN FLAME TO CHECK FOR LEAKS. USE OF AN OPEN FLAME COULD RESULT IN A FIRE, EXPLOSION AND BODILY HARM.
- DO NOT SMOKE WHILE PERFORMING THE LEAK TEST!
- To prevent fire or explosion hazard, DO NOT use or permit sources of ignition in the area while performing a leak test. Perform leak test outdoors only.
- Check to ensure that flexible hoses do not have any cuts and wear that may affect the safety before each use. Only the factory supplied hose and regulator must be used. Use only replacement regulator and hose assemblies specified by Delta Heat.

### LEAK TEST

- 1) Prepare a leak testing solution of sudsy water by mixing in a spray bottle with half liquid soap and half water.
- 2) Confirm that all control knobs are in the OFF position.
- 3) Turn the main gas valve supply ON.
- 4) Apply leak testing solution by spraying on the pipe joints, fittings, and hose.
- 5) A gas leak is detected if;
  - a) there is a faint gas smell and/or...
  - b) ...growing bubbles appear on any of the connection points and/or hose, DO NOT attempt to ignite the side burner and IMMEDIATELY turn off the gas supply valve.
- 6) When there is a gas leak, call a qualified service technician. DO NOT use the side burner until the leak is corrected.



# EXPLODED VIEW - SIDE BURNER DROP-IN (DHSB1D-C)

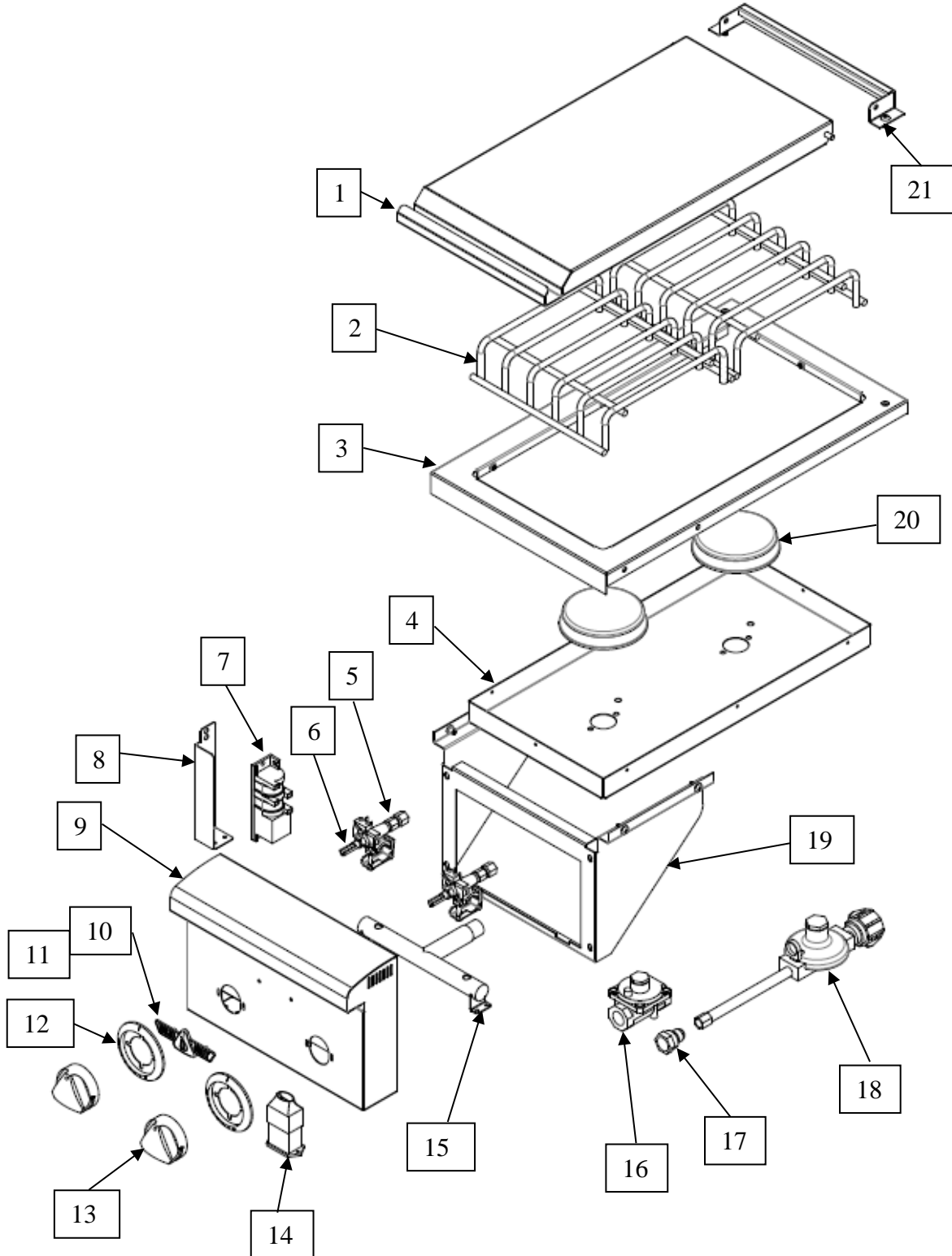


## SERVICE PARTS LIST - SIDE BURNER DROP-IN (DHSB1D-C)

Item No.	Service Part Number	Description	DHSB1D-CL	DHSB1D-CN
1	S21847	Side Burner Cover	1	1
2	S13843	Side Burner Grate	1	1
3	S13195	Delta Black Knob	1	1
4	S16157	2-Spark Ignition Module	1	1
5	S13199	Delta Knob Bezel	1	1
6	S13141	Delta Heat Logo	1	1
7	S14160	Tinnerman Barrel Clip	2	2
8	S21846	Cooktop Body	1	1
9	S21841-1	1-Burner Burner Holder	1	1
10	S15106	Straight Gas Valve	1	1
11	S21855	Valve Mount	1	1
12	S12601	Brass Elbow, 3/8 CC x 1/8 FIP	1	1
13	S12609	Brass Nut and Sleeve, 1/8 FIP x 5/16 CC	1	1
14	S12407	Stainless Steel Flex Tubing, 3/8 x 7.5"	1	1
15	S12602	Brass Coupling, 3/8 Flare x 1/2 FIP	1	
16	S15344	LP Regulator	1	
17	S15303	NG Regulator		1
18	S12641	Brass Coupling, 3/8 CC x 1/2 MPT	1	1
19	S13336	Burner Assembly	1	1
*	S13340	Orifice, NG		1
*	S13341	Orifice, LP	1	

\* Not Shown

# EXPLODED VIEW - 2-BURNER SIDE BURNER, BUILT-IN (DHSB2-C)



## SERVICE PARTS LIST 2-BURNER SIDE BURNER, BUILT-IN (DHSB2-C)

Item No.	Service Part Number	Description	DHSB2-CL	DHSB2-CN
1	S21844	Side Burner Cover	1	1
2	S13843	Side Burner Grate	2	2
3	S21842-2	2-Burner Cooktop	1	1
4	S21841-2	2-Burner Burner Holder	1	1
5	S12609	Brass Nut and Sleeve, 1/8 FIP x 5/16 CC	2	2
6	S15132	Straight Gas Valve	2	2
7	S16323	2-Spark Ignition Module	1	1
8	S23216	Ignition Module Bracket	1	1
9	S23202-12WY	Front Panel, 2-Burner	1	1
10	S13201	Delta Heat Logo	1	1
11	S14160	Tinnerman Barrel Clip	2	2
12	S13199	Delta Knob Bezel	2	2
13	S13195	Delta Black Knob	2	2
14	S16272	Battery Pack	1	1
15	S12754	Manifold	1	1
16	S15303	NG Regulator		1
17	S12602	Brass Coupling, 3/8 Flare x 1/2 FIP	1	
18	S15344	LP Regulator	1	
19	S21845	Stiffener	1	1
20	S13336	Burner Assembly	2	2
21	S21849	Side Burner Cover Brace	1	1
*	S16355	Delta Blue LED	2	2
*	S16337Y	Wire Harness Assembly	1	1
*	S16260	72" extension, built-in	1	1
*	S13340	Orifice, NG		2
*	S13341	Orifice, LP	2	

\* Not Shown



## DELTA HEAT WARRANTY

**ONE-YEAR FULL WARRANTY:** Delta Heat warrants the outdoor **Side Burners** and all of their component parts, to be free from defects in materials and workmanship under normal residential use for a period of one year from the original date of purchase. The actual part will be repaired or replaced, free of charge, with the owner paying for all other costs including labor, installation, shipping and handling charges.

**NINETY (90) DAY RESIDENTIAL PLUS WARRANTY:** This warranty applies to applications where use of the product extends beyond normal residential use such as bed and breakfast inn, private clubs, multi-dwelling condos and apartments. The actual part will be repaired or replaced, free of charge, with the owner paying for all other costs including labor, installation, shipping and handling charges. This warranty excludes all commercial locations such as restaurants and food service locations.

### WARRANTY LIMITATIONS & EXCLUSIONS

This warranty shall apply only to the products purchased and located in the continental United States and Canada. The warranty coverage begins on the original date of purchase and proof of date of purchase is required. In order to activate the warranty, we require that you send in the attached warranty registration card or register on-line at our website, [www.deltaheat.com](http://www.deltaheat.com). This warranty applies only to the original owner and may not be transferred.

This warranty does not apply to damages resulting from negligence, alteration, misuse, abuse, accident, natural disaster, loss of electrical power to the product for any reason, improper installation or improper operation, unauthorized adjustments or calibrations, dings, dents, scratches, or damages due to harsh cleaning chemicals. This warranty does not apply to rust, corrosion, discoloration, surface scratches, weather and atmospheric related staining and oxidation which are normal conditions and to be expected with any outdoor products unless the affected component becomes inoperable. This warranty does not apply to commercial use, or to products with altered or removed serial numbers. Delta Heat shall not be liable for incidental, consequential, special or contingent damages resulting from its breach of this written warranty or any implied warranty.

**WARRANTY SERVICE & REPLACEMENT PARTS:** Call your authorized selling dealer or call Delta Heat directly at **800-422-0091**. Be prepared to furnish the following information: Purchaser's name, model and serial number of the appliance, date of purchase and the accurate description of the problem. Delta Heat will not pay for service calls for correcting an installation problem. Owner shall be responsible for proper installation, providing normal care and maintenance, providing proof of purchase upon request and making the appliance accessible for service. In the event of any warranty replacement, all removal, replacement, installation and shipping costs are the responsibility of the grill owner.

Some states do not allow limitations on how long an implied warranty lasts, or the exclusions of or limitations on consequential damages. This warranty gives you specific legal rights and you may have other rights, which vary from state to state.

THIS PAGE IS INTENTIONALLY LEFT BLACK

# HOW TO OBTAIN SERVICE

For service, please contact your DELTA HEAT dealer or call DELTA HEAT direct at (800) 422-0091 or fax (562) 802-3391

Mailing address:  
DELTA HEAT, Inc.  
13231 166<sup>th</sup> Street  
Cerritos, CA 90703

Visit us at [www.deltaheat.com](http://www.deltaheat.com)

Please provide:

- Model number
- Serial Number
- Date of installation
- A description of the problem

Cut  
Here



## Warranty Registration

Customer Name	Model #
Address	Serial #
City	Date Purchased
Zip	Dealer's Name
Phone #	Dealer's Address
e-mail:	

This Warranty Registration card must be returned within thirty days of purchased to properly activate your warranty. This information is for our internal use only.

Or you may register online at <http://www.deltaheat.com>

Cut  
Here

Place  
Postage  
Here



Customer Service  
ATTN: Warranty Department  
13231 166<sup>th</sup> Street  
Cerritos, CA 90703